

- ! 6bar and 12bar Versions
- ! Jacketed and Triple Wall Options
- ! Functional Safety Stand
- ! Wide Temperature Range



### Operating pressure:

- 1bar g (full vacuum) to +12bar g (+1.2MPa)
- 1bar g (full vacuum) to +6bar g (+6MPa)

### Operating temperature:

-90°C to +200 °C

Model	Capacity	Pressure	Type
ASGA-"Capacity"-12-DF	500ml	12bar g	Double Walled
06-DF		6bar g	
12-TF	1,000ml	12bar g	Triple Walled
06-TF		6bar g	
	1,500ml		

- All wetted parts are made of Borosilicate 3.3 Glass, SS316, Perflour and PTFE components.
- Support Structure (Epoxy coated, Polycarbonate sliding safety window)
- Overhead Stir and/or Temperature Control Unit (TCU) available upon request (not included).



Included

① Safety Support Structure



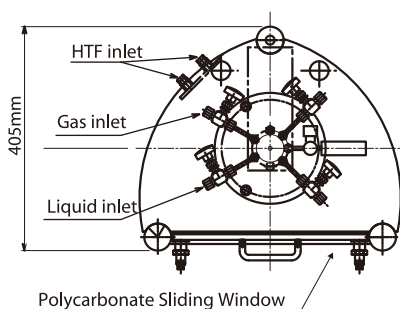
- ② Pressure Relief Safety Valve
- ③ Pressure Gauge
- ⑥ Magnetic Seal Bearing

Magnetic Seal Bearing

- Consistent Torque Throughout Entire Temperature Range
- Easy Cleaning and Maintenance

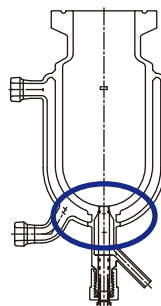
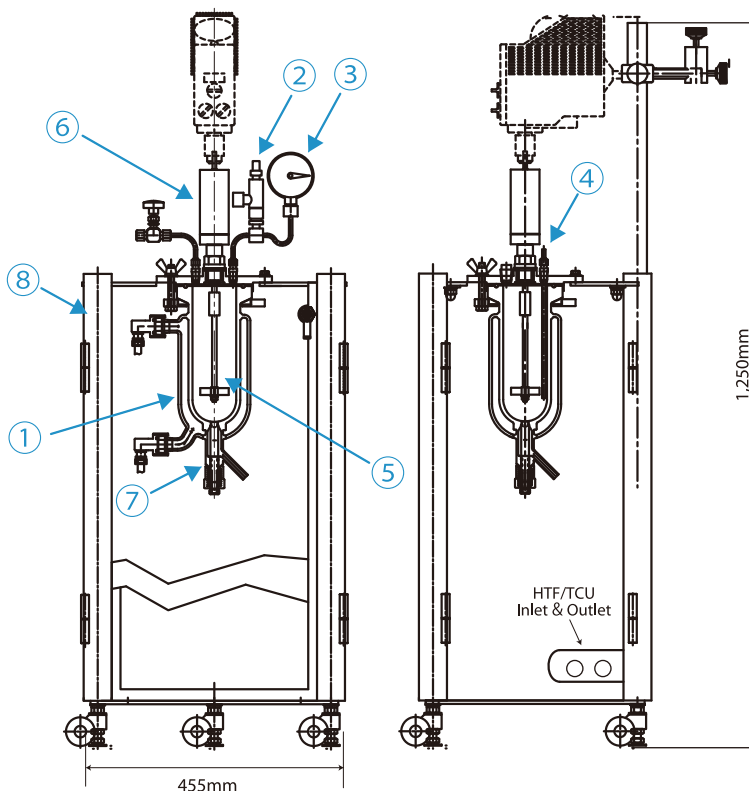


⑦ Leak-proof Flush Valve



Parts

1	Pressure Reactor Vessel
2	Pressure Relief Safety Valve
3	Pressure Gauge
4	Thermometer pocket
5	Stirring blade
6	Magnetic Seal Bearing
7	Flush valve
8	Safety Support Structure



**Zero  
Dead Space  
Design**

